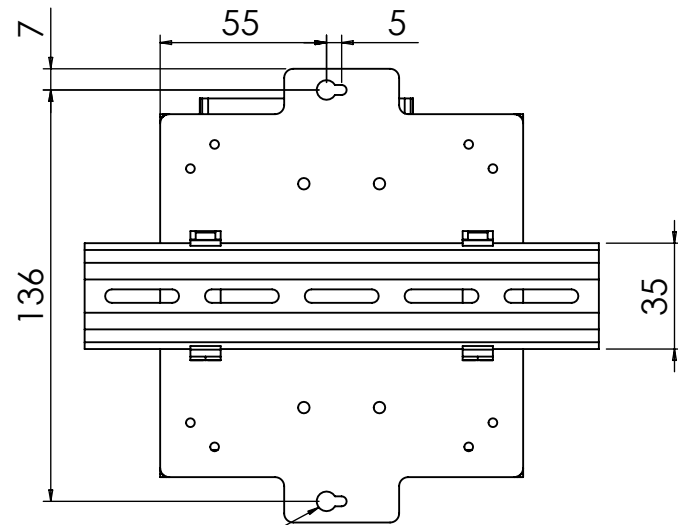
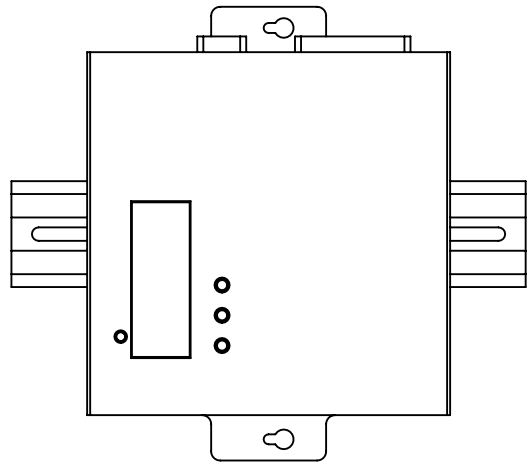
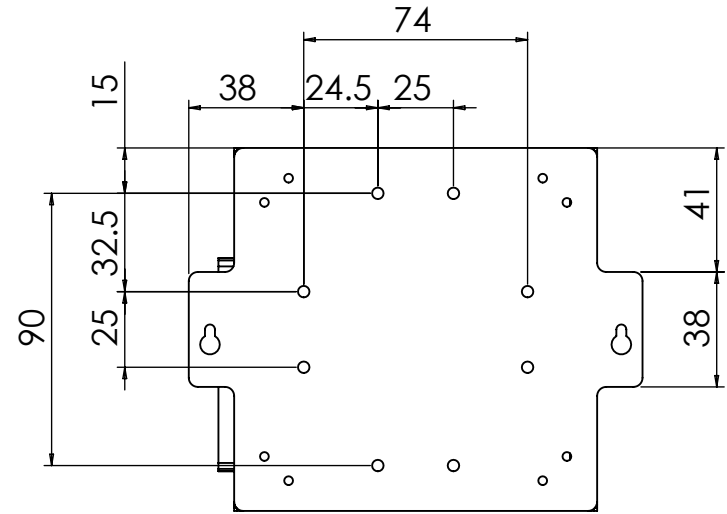
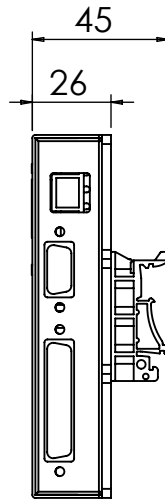
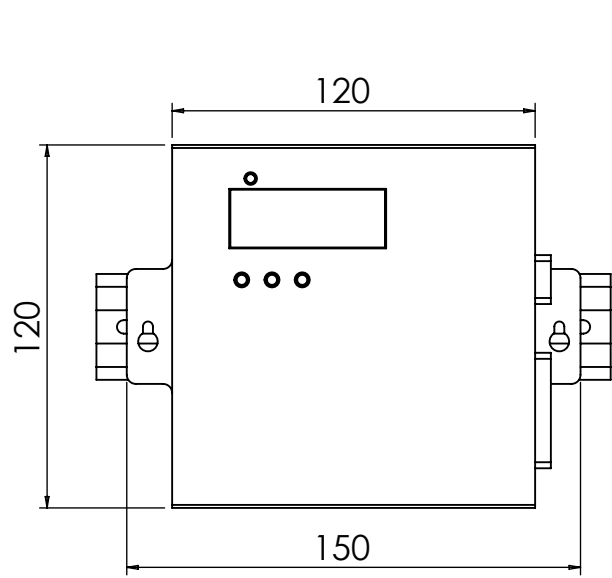


**Model Name : Light Intensity Controller (LIC) Series (with din rail kit)**



**LIC Din Rail Kit ( Optional Direction )**

2 X M3 Screw  
Mounting Hole

**Back View**

Third Angle Projection

Units: mm

**FALCON**  
FALCON ILLUMINATION (M) SDN. BHD.